

I/P® Standard Pump Head Parts

J End Bell Assemblies. Two required for a complete head assembly.

For pump heads	Housing material*	Catalog number
07019-00, -20	PC/CRS	LJ-07019-78
07019-01, -21	PC/SS	LJ-07019-79
07019-40, -41, -42, -43	PPS/SS	LJ-07019-73
07019-25, -32	PC/CRS	LJ-07019-74
07019-26, -31	PC/SS	LJ-07019-75
07019-35, -36, -51, -53	PPS/SS	LJ-07019-77

K Rotor Assemblies

For pump head	Housing material*	Catalog number
07019-20, -32, -36, -40	CRS	LJ-07019-82
07019-21, -31, -43, -53	SS	LJ-07019-85

*PPS—Polyphenylene sulfide PSF—Polysulfone
PC—Polycarbonate CRS—Cold-rolled steel SS—Stainless steel

I/P® Easy-Load® 77601-Series Pump Head Parts

O Main Body/Occlusion Bed Assemblies with rear bearing

For pump heads	Housing material*	Catalog number
77601-00, -02	PSF/CRS	LJ-77601-07
77601-10, -12	PSF/SS	LJ-77601-17
77601-60, -62	PPS/SS	LJ-77601-67

P Rotor/Bearing Support Assemblies for short shaft pump heads

For pump head	Housing material*	Catalog number
77601-00	PSF/CRS	LJ-77601-08
77601-10	PSF/SS	LJ-77601-18
77601-60	PPS/SS	LJ-77601-68

Q Tubing Retainer Kit. Includes two retainer assemblies, back plate and screws

Pump head material	Catalog number
Polysulfone (PSF)	LJ-77601-06

R Mounting hardware (Stainless steel) for I/P® Easy-Load® 77601-series pump heads. Includes five #10-24 mounting screws.

Number of heads to be mounted	Catalog number
One	LJ-77601-95
Two	LJ-77601-96

I/P® High-Performance 77600-62 Pump Head Parts

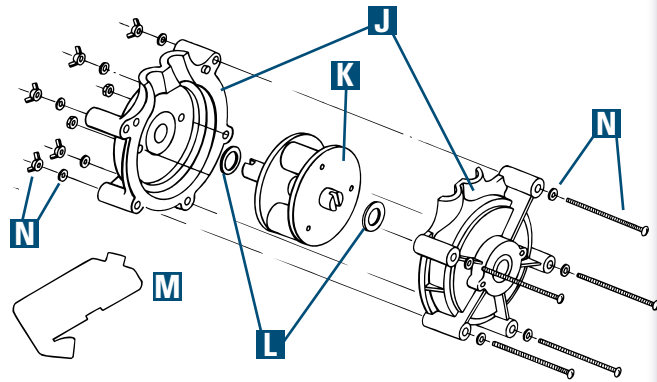
S LJ-77600-69 Rotor/Body kit (includes rotor/body assembly with tang boot).

T LJ-77600-66 Tubing retainer kit (includes retainer, adjusting screw, spacer, spring, washers, and knob).

U LJ-77600-67 Occlusion bed assembly kit (includes occlusion bed assembly, washers, and retaining clip).

V LJ-77600-03 Replacement tang boot. Pack of 10.

LJ-77600-01 Mounting screws (not shown). Set of four #10-24 screws.



L LJ-07019-92 Thrust washers, pack of 10.

M LJ-07019-90 Tubing loading key. Use to properly install tubing in pump head. No charge.

N Mounting hardware (Stainless steel) for all I/P® Standard pump heads. Includes five #10-24 mounting screws with #10 washers and wing nuts.

LJ-07019-95 For mounting one head.

LJ-07019-96 For mounting two heads.

LJ-77600-03 Replacement tang boots (not shown), pack of 10.

